

Fig. 1 a) DT system; b) Example of signals.

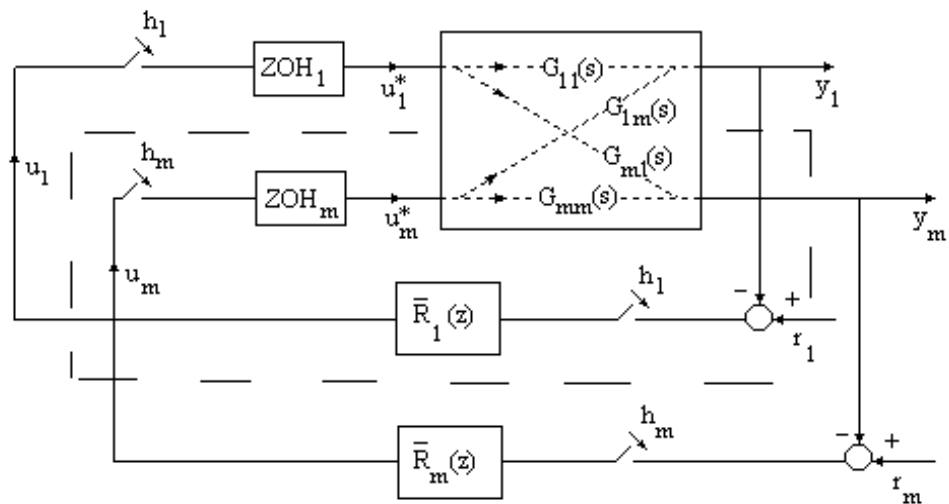


Fig. 2 DT multivariable multirate system.